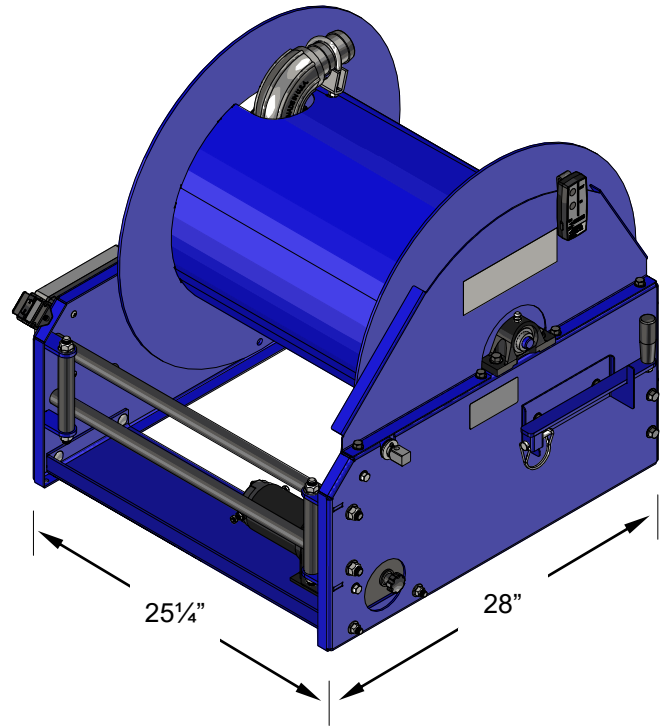


OWNER'S MANUAL

Model: EZHR200 (5281281) (2" Electric Hose Reel)

The EZHR200 2" electric hose reel is designed to hold up to 75' of 2" hose. The rewind motor can be operated by the mounted rocker switch, palm held wireless remote or wireless key fob. In addition, the reel comes standard with a manual hand crank for emergency use and to assist with the release of the motor lock.



General Information

Thank you for purchasing this product. The purpose of this manual is to assist you in operating and maintaining your hose reel.



WARNING: To reduce the risk of injury, the user must read and understand the operator's manual before using this product.



WARNING: Cancer and Reproductive Harm
www.P65Warnings.ca.gov

Warranty

Retain a copy of your receipt for your unit, as it will be required to validate any warranty service. Products are warranted against manufacturer or workmanship defects for one year from date of purchase for home owner usage and 90 days for commercial usage.

For technical assistance, visit our website @ www.agspray.com or call: Toll Free to one of the below phone numbers. Our Technical Support Representatives will be happy to help you. To obtain prompt, efficient service, always remember to give the following information...

- Correct Part Description and/or part number
 - Model #/Serial # of your unit

Part descriptions and numbers can be obtained from the illustrated parts list section(s) of this manual.



www.agspray.com

(03/18)

IF YOU SHOULD HAVE A QUESTION OR EXPERIENCE A PROBLEM WITH YOUR AG SPRAY PRODUCT GIVE US A CALL

BAKERSFIELD, CA 877-724-2236	COLUMBUS, NE 800-274-1025	DOTHAN, AL 800-227-4098	FARGO, ND 800-373-4084	HOPKINSVILLE, KY 800-637-7172
MANKATO, MN 800-722-9376	NEWTON, KS 800-394-7662	PASCO, WA 800-634-2026	TEMPE, AZ 877-974-7170	VISIT US ONLINE @ www.agspray.com

BEFORE YOU CALL, PLEASE HAVE THE FOLLOWING INFORMATION AVAILABLE: SALES RECEIPT & MODEL NUMBER. IN MOST CASES, AN AG SPRAY EMPLOYEE CAN RESOLVE THE PROBLEM OVER THE PHONE

IMPORTANT

READ THIS MANUAL CAREFULLY BEFORE INSTALLING, OPERATING OR SERVICING THIS EQUIPMENT

PERSONAL SAFETY

Personal injury and/or equipment damage may result if proper safety precautions are not observed.

- Ensure the reel is properly installed before connecting input and output hoses.
- Bleed pressure from system before servicing reel.
- Remember, even low pressure is very dangerous and can cause personal injury or death.
- Be aware of machinery and personnel in work area.
- If a leak occurs in the hose or reel, remove system pressure immediately.
- If reel ceases to unwind or rewind, remove system pressure immediately. DO NOT pull or jerk on hose.
- Treat and respect the hose reel as any other piece of machinery, observing all common safety practices.

INSTALLATION INSTRUCTIONS

MOUNTING

- Ensure the length of the hose reel frame is properly supported. Take into account the weight of the hose reel, hose and product potentially in the hose.
- Utilize the 4 - 5/16" mounting holes in the frame to secure the hose reel frame.

INSTALLING INPUT HOSE

The EZ Series hose reel comes with a manifold flange fitting as part of the inlet on the swivel.

- The EZHR200 comes with a 2" manifold flange inlet. A corresponding **2" flange fitting of the customers preference along with a 2" flange gasket and 2" flange clamp will need to be supplied by the customer.**
- Make sure when installing the inlet flange fitting the flange gasket is properly aligned and installed.
- Tighten the manifold flange clamp securing the flange faces with gasket properly installed.
- Make sure the swivel turns freely and the flange clamp clears all swivel hardware.

INSTALLING OUTPUT HOSE

Determine the desired hose length to fit your application needs up to 75'. It is recommended to install the average length of hose needed plus 10 to 15 additional feet for those times when you can't get as close to the equipment as normal. Additional unused/unneeded hose will increase flow restriction and decrease flow capacity.

- Loosen clamping U-bolt (ref. 22) on reel output.
- Run hose through the roller guides (ref. 38) and through the clamping U-bolt.
- Slide the hose onto the outlet hose reel barb fitting. (Hose may slide on hard. A non-petroleum based lubricant may be used to assist with installation of the hose on the barb).
- Install hose clamp(s) on hose positioning the clamp between the barbs.
- Tighten the clamping U-bolt. (Clamping U-bolt is not intended to seal the hose, but rather secure the hose outlet fitting).
- Install hose end valve and fittings following same procedure as the reel outlet fitting.

INSTALLING ELECTRICAL WIRING

- Connect RED wire to 12VDC (+) positive.
- Connect BLACK wire to 12VDC (-).

For installations where the electric reel will not be connected directly to a battery with the supplied wiring:

Wiring size to the solenoid for intermittent operation:

- 1' to 9', use 10 Ga. Stranded Wire.
- 10' to 14', use 8 Ga. Stranded Wire.
- 15' to 24', use 6 Ga. Stranded Wire.
- 25' to 29', Use 4 Ga. Stranded Wire.
- 30' to 39', use 2 Ga. Stranded Wire.

OPERATION INSTRUCTIONS

The EZ Series hose reel comes with 3 options for electric control: mounted rocker switch, palm held wireless remote and wireless key fob. The EZ Series is also equipped with a removable manual hand crank handle. (Stow hand crank on hand crank holder (ref. 24) when not in use).

UNWIND

- **DO NOT PRESSUREIZE THE HOSE ON THE HOSE REEL UNTIL THE HOSE IS PULLED OUT TO THE DESIRED LENGTH AND ATTACHED.**
- To unwind the hose, release the motor lock. (Pull the lock knob out and turn 1/4 turn to allow the reel to turn freely. You may have to use the manual hand crank to release the pressure on the lock knob. Install the manual hand crank handle on the square crank drive (ref. 42) and slowly turn back and forth to release the pressure).
- **Using the electric motor to unwind the hose is not recommended. The hose will want to unwind from the center drum out causing the hose to catch on the reel frame.**
- Pull the hose out to desired length.
- Attach hose to applicator.
- Start the flow of fluid.

REWIND USING ELECTRIC REEL

- Shut pump off and make sure hose is non-pressurized.
- Make sure the hose is disconnected from the application equipment.
- Unless intending to drain the hose, make sure the valve is closed on the end of the hose.
- Engage the electric motor lock out by turning the lockout knob 1/4 turn until the cross pin is aligned with the motor groove.
- Start the electric motor with mounted rocker switch, palm held wireless remote or wireless key fob to rewind the hose.
- Stop valve end before it hits the roller guides. Failure to do so can cause roller damage.

REWIND USING MANUAL REEL

- Shut pump off and make sure hose is non-pressurized.
- Make sure the hose is disconnected from the application equipment.
- Unless intending to drain the hose, make sure the valve is closed on the end of the hose.
- Install the manual hand crank on the crank square drive. Insert the keeper pin.
- Stop valve end before it hits the roller guides. Failure to do so can cause roller damage.
- Engage the electric motor lock out by turning the lockout knob 1/4 turn until the cross pin is aligned with the motor groove to lock the hose drum.

MAINTENANCE INSTRUCTIONS

Grease EZ Series hose reel after 20 hours and annually:

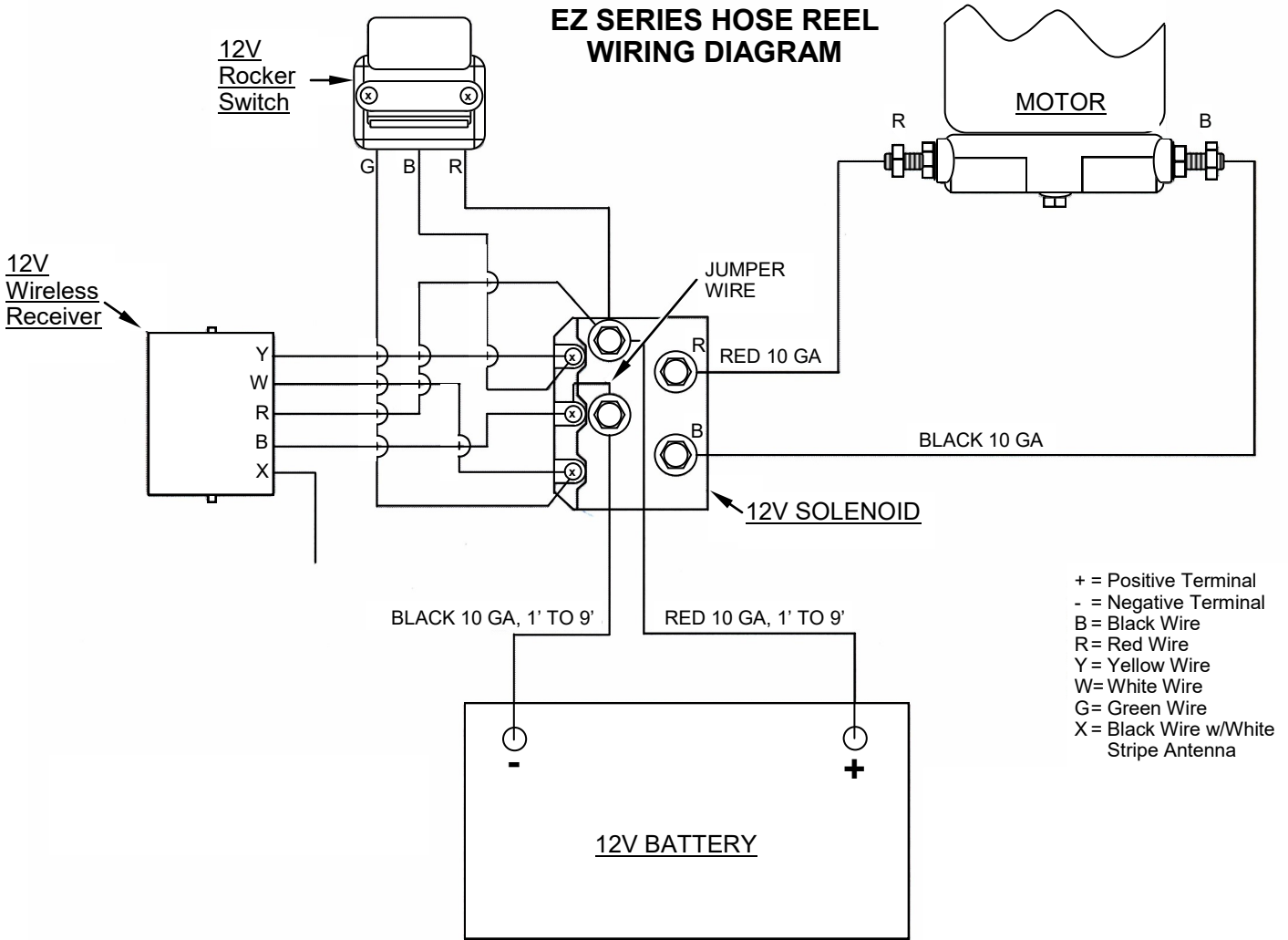
- Pillow Block Bearing (ref. 9).
- Swivel Clamp Body (ref. 34).
- Swivel Flange Support Body (ref. 60), (2) Grease Zerks (ref 5). (DO NOT over grease. Over greasing will cause the swivel to seize up).

Check chain tension after 5th time reeling in and annually:

- To change chain tension, adjust the motor (ref. 54) with the carriage mounting bolts (ref. 11) and 3/8" Hex Nut (ref. 2).

Oil Chain after 15 hours and annually.

EZ SERIES HOSE REEL WIRING DIAGRAM

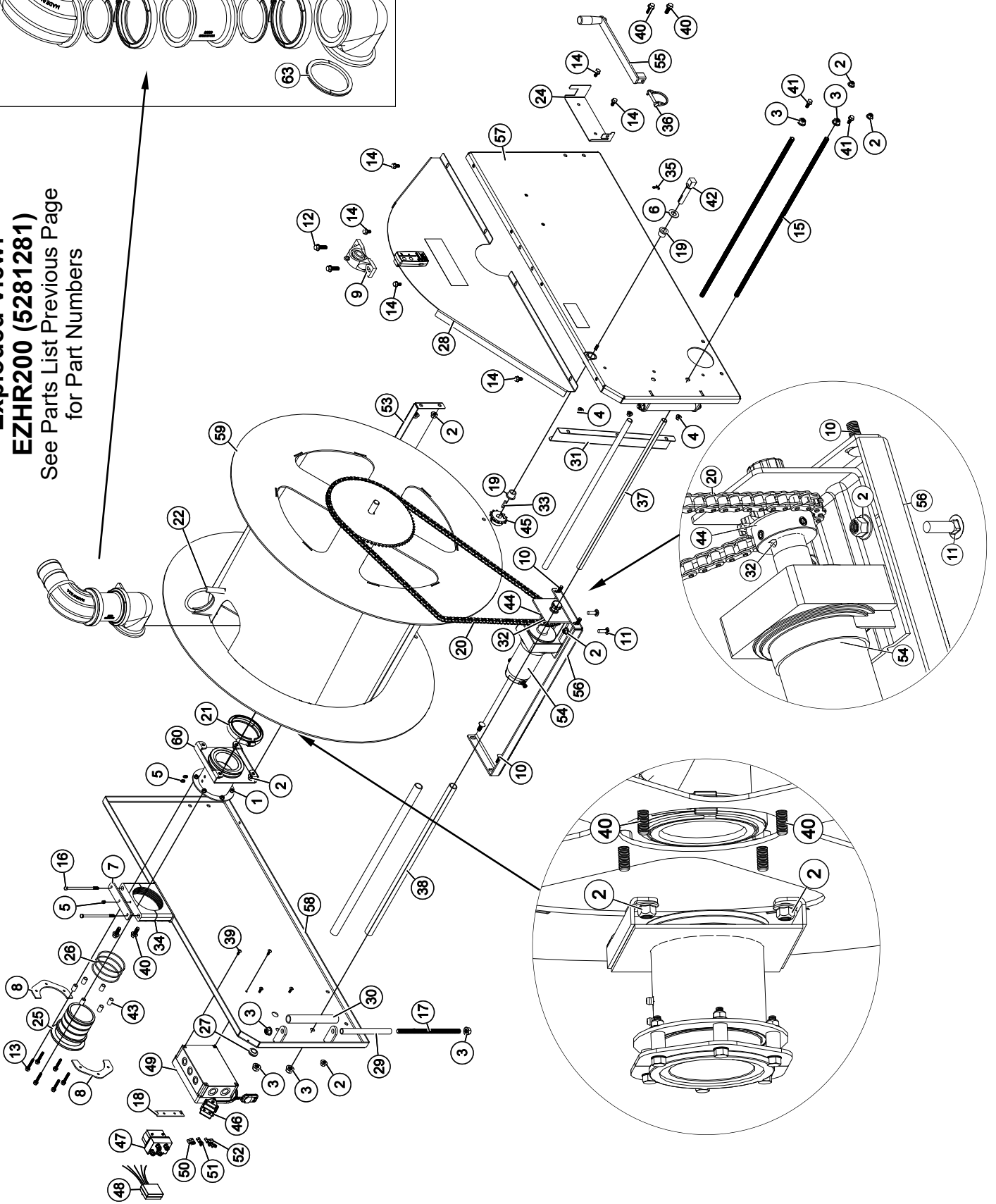
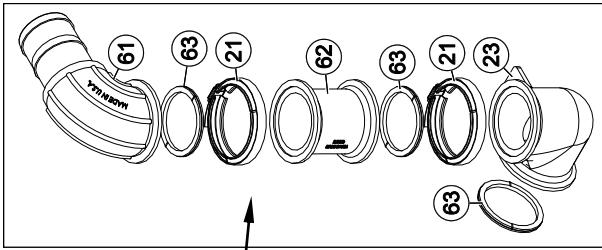


Parts List: EZHR200 (5281281) See Exploded View Next Page

Ref. #	Part #	Description	Qty
1	5006344	1/4-20nc Hex Flanged Toplock Nut Gr. 5	6
2	5006345	3/8-16nc Hex Flanged Toplock Nut Gr. 5	16
3	5006365	1/2-13nc Hex Flanged Toplock Nut Gr. 8	8
4	5006367	5/16-18nc Hex Flanged Toplock Nut Gr. 8	3
5	5012015	Grease Zerk, 1/4"-28 Thread	3
6	5016053	Flatwasher - 5/8"	1
7	5029105	Bearing Cover Plate	1
8	5029111	304 S.S. Plate, Flange Retainer	2
9	5031510	3/4" Pillow Block Bearing	1
10	5034482	3/8"-16nc x 1" Carriage Bolt	4
11	5034524	3/8"-16nc x 1 1/4" Carriage Bolt Grade 8	2
12	5034592	H.H.C.S. Flanged 3/8"-16nc x 1 1/4"	2
13	5034613	H.H.C.S. Flanged 1/4"-20nc x 1 1/2"	6
14	5034634	H.H.C.S. Flanged 5/16"-18nc x 5/8"	6
15	5034828	1/2"-13 x 27" All Thread	2
16	5034830	1/4"-20 x 4" HHCS	2
17	5034831	1/2"-13 x 7-3/4" All Thread	2
18	5038914	Solenoid/Relay Mount Bracket	1
19	5041207	Flanged Bronze Bushing 5/8" I.D. x 7/8" O.D. x 3/4" Oilite	2
20	5049061	#40 Roller Chain 53" Long w/Master Link	1
21	5051138	220 Series Manifold Flange Clamp - Worm Screw	3
22	5051159	2-3/8" ID Clamping U-Bolt	1
23	5057209	2" FP Flange x 2" FP Flange Coupling 90° Elbow	1
24	5060021	Hand Crank Holder	1
25	5068019	2" Turner Flange Manifold Mount Triple O-Ring	1
26	5072536	Viton O-Ring .125" DIA x 2.125 ID x 2.375 OD (Brown)	3
27	5075022	Grommet (5/8" I.D.)	1
28	5076026	Guard (RH)	1
29	5077353	2" Roller Guide (Short)	2
30	5077354	2" PVC Roller Guide (Short)	2
31	5077355	2" Hose Reel Chain Guard	1
32	5089047	1/4" Square Keystock x 1" Long	1

Ref. #	Part #	Description	Qty
33	5089052	3/16" Square Keystock x 1" Long	1
34	5100947	Clamp Body 3" Tube w/Hole	1
35	5101077	Cotter Pin, 1/8" x 1"	1
36	5101260	5/16" x 1-3/4" Lynch Pin	1
37	5112035	Roller Guide	2
38	5112038	PVC Roller Guide (Long)	2
39	5117167	#10-24 x 5/8" Phillips Truss Head Machine Screw	4
40	5117307	H.H.C.S. Flanged 3/8"-16nc x 1"	8
41	5117323	H.H.C.S. Flanged 5/16"-18nc x 3/4"	2
42	5118209	5/8" Idler Shaft w/Square Drive	1
43	5127232	Spacer	6
44	5130018	No. 40 Sprocket 17 Tooth x 1.188 Bore	1
45	5130020	No. 40 Sprocket 13 Tooth x 5/8" Bore W/ 3/16" Keyway	1
46	5157242	12V DC Rocker Switch w/Wiring	1
47	5157243	12V DC Solenoid Relay	1
48	5157244	Wireless Remote Control	1
49	5157245	Impact/Corrosion-Resistant Washdown Enclosure	1
50	5157246	Ring Terminal #4 Stud, 16-14 Wire	3
51	5157247	Ring Terminal 1/4" Stud, 16-14 Wire	2
52	5157248	Ring Terminal 1/4" Stud, 12-10 Wire	4
53	5281187	Brace Plate Weldment	1
54	5281188	Motor w/Drum	1
55	5281190	Crank Assembly	1
56	5281195	Front Brace Weldment	1
57	5281278	Side Panel Weldment (RH)	1
58	5281279	Side Panel Weldment (LH)	1
59	5281330	2" Hose Reel Weldment	1
60	5281331	2" Flange Support Weldment	1
61	M220BRBWP90	2" Full Port Flange x 2" Hose Barb Sweep 90°	1
62	M220CPG	2" x 2" Full Port Flange Coupling x 2-31/32" Long	1
63	M221G	2" EPDM FP Manifold Gasket w/Rib	3

**Exploded View:
EZHR200 (5281281)**
See Parts List Previous Page
for Part Numbers



Warranty Info

LIMITED WARRANTY FOR NEW AG SPRAY EQUIPMENT

WHO MAY USE THIS LIMITED WARRANTY. This limited warranty (the "Limited Warranty") is provided by Ag Spray Equipment to the original purchaser ("you") of the Equipment (as defined below) from Ag Spray Equipment or one of Ag Spray Equipment's authorized dealers. This Limited Warranty does not apply to any subsequent owner or other transferee of the Equipment. THIS LIMITED WARRANTY GIVES YOU SPECIFIC LEGAL RIGHTS, AND YOU MAY ALSO HAVE OTHER RIGHTS WHICH VARY FROM STATE TO STATE.

WHAT THIS LIMITED WARRANTY COVERS AND FOR HOW LONG. Ag Spray Equipment warrants that any new Equipment will be free from defects in material and workmanship for a period of **one (1) year** after delivery of the Equipment to you (the "Warranty Period"). The Warranty Period is not extended if Ag Spray Equipment repairs or replaces the Equipment.

WHAT IS NOT COVERED BY THIS LIMITED WARRANTY. This Limited Warranty does not apply to: (1) used Equipment; (2) any Equipment that has been altered, changed, repaired or treated since its delivery to you, other than by Ag Spray Equipment or its authorized dealers; (3) damage or depreciation due to normal wear and tear; (4) defects or damage due to failure to follow Ag Spray Equipment's operator's manual, specifications or other written instructions, or improper storage, operation, maintenance, application or installation of parts; (5) defects or damage due to misuse, accident or neglect, "acts of God" or other events beyond Ag Spray Equipment's reasonable control; (6) accessories, attachments, tools or parts that were not manufactured by Ag Spray Equipment, whether or not sold or operated with the Equipment; or (7) rubber parts, such as tires, hoses and grommets.

HOW TO OBTAIN WARRANTY SERVICE. To obtain warranty service under this Limited Warranty, you must (1) provide written notice to Ag Spray Equipment of the defect during the Warranty Period and within **thirty (30)** days after the defect becomes apparent or the repair becomes necessary, at the following address: Ag Spray Equipment, 1000 Fimco Lane, North Sioux City, SD 57049; and (2) make the Equipment available to Ag Spray Equipment or an authorized dealer within a reasonable period of time. For more information about this Limited Warranty, please call: **800-274-1025** or your local Ag Spray location.

WHAT REMEDIES ARE AVAILABLE UNDER THIS LIMITED WARRANTY. If the conditions set forth above are fulfilled and the Equipment or any part thereof is found to be defective, Ag Spray Equipment shall, at its own cost, and at its option, either repair or replace the defective Equipment or part. Ag Spray Equipment will pay for shipping and handling fees to return the repaired or replacement Equipment or part to you.

LIMITATION OF IMPLIED WARRANTIES AND OTHER REMEDIES. THE REMEDIES DESCRIBED ABOVE ARE YOUR SOLE AND EXCLUSIVE REMEDIES, AND AG SPRAY EQUIPMENT'S SOLE LIABILITY, FOR ANY BREACH OF THIS LIMITED WARRANTY. TO THE EXTENT APPLICABLE, ANY IMPLIED WARRANTIES, INCLUDING, WITHOUT LIMITATION, THE IMPLIED WARRANTIES OF MERCHANTABILITY AND FITNESS FOR A PARTICULAR PURPOSE, SHALL BE LIMITED IN DURATION TO THE WARRANTY PERIOD, AND THE REMEDIES AVAILABLE FOR BREACH THEREOF SHALL BE LIMITED TO THE REMEDIES AVAILABLE UNDER THIS EXPRESS LIMITED WARRANTY. SOME STATES DO NOT ALLOW LIMITATIONS ON HOW LONG AN IMPLIED WARRANTY LASTS, SO THE ABOVE LIMITATION MAY NOT APPLY TO YOU. IN NO EVENT SHALL AG SPRAY EQUIPMENT'S LIABILITY UNDER THIS LIMITED WARRANTY EXCEED THE ACTUAL AMOUNT PAID BY YOU FOR THE DEFECTIVE EQUIPMENT, NOR SHALL AG SPRAY EQUIPMENT BE LIABLE, UNDER ANY CIRCUMSTANCES, FOR ANY CONSEQUENTIAL, INCIDENTAL, SPECIAL OR PUNITIVE DAMAGES OR LOSSES, WHETHER DIRECT OR INDIRECT. SOME STATES DO NOT ALLOW THE EXCLUSION OR LIMITATION OF INCIDENTAL OR CONSEQUENTIAL DAMAGES, SO THE ABOVE LIMITATION OR EXCLUSION MAY NOT APPLY TO YOU.